



Rotatable driver's workstation for
Diesel and LPG Counterbalanced Trucks
Load capacity: 2000–8000 kg
H20, H25, H30, H35, H40, H45,
H50, H60, H70, H80

Series 392
to Series 396

Safety

The rotatable driver's workstation enables optimum driving conditions and makes reverse travel safer, thanks to the excellent visibility provided for the driver. The seat can be adjusted via a protected mechanical mechanism. Physical strain is reduced by up to 60%.

Performance

Strain placed on the upper body as a result of turning for reverse travel is no longer an issue. By rotating the driver's workstation, the driver always has the best view of the load and drive direction, offering advantages such as faster manoeuvrability and secure load handling for increased productivity.

Comfort

Operating the rotatable driver's workstation is simple and intuitive. The entire workstation, including the seat with operating unit, the steering wheel and pedals, can be adjusted to the desired position using a single handle. In addition, the rotatable driver's workstation can be swivelled in intermediate stages.

Reliability

The rotatable driver's workstation was developed in collaboration with NEUMAIER Industry and is characterised by an extremely robust design that offers a long service life. The driver's work station is CE certified and comes with a 12-month guarantee from NEUMAIER, allowing maintenance and repair costs to be kept to a minimum.

Cost-effectiveness

Tiredness and risks to the driver's health are reduced, meaning less downtime and accidents due to illness. Improved visibility also leads to goods being handled faster.

Linde Material Handling

Linde

Progress through innovative technology

The rotatable driver's workstation represents user-friendliness, the best possible ergonomics but also improved cost-efficiency. Increased

handling performance and enhanced reliability for drivers and the goods being transported is just as key as the quality of the design.



Fantastic adaptation options
enhance driver comfort and simultaneously reduce physical strain.



Robust construction
provides a long service life and minimises maintenance and repair costs.

Optimum safety
thanks to excellent visibility when transporting large loads that are difficult to see over.



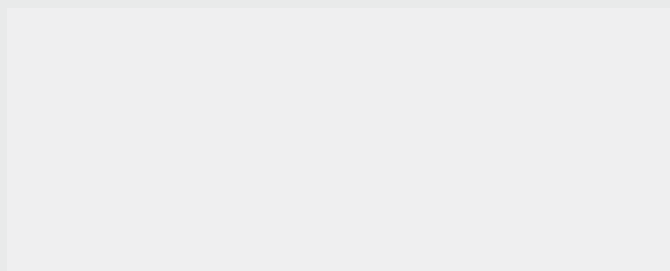
Increased visual field
improves handling performance when dealing with loads that are difficult to see over.

Reduced physical strain
on the driver leads to less downtime caused by illness, thereby increasing productivity.



Simple operating concept
enables rapid training and safe use.

Details are subject to change due to product development. Images and technical data may include additional options that are not specific to the truck versions mentioned here. All dimension information is subject to the usual tolerances.



Impressive versatility

Working as part of an innovative system partnership with NEUMAIER Industry, Linde has developed an exclusive rotatable driver's workstation for IC trucks. The rotatable driver's workstation can be used to rotate the driver's seat to the left. This

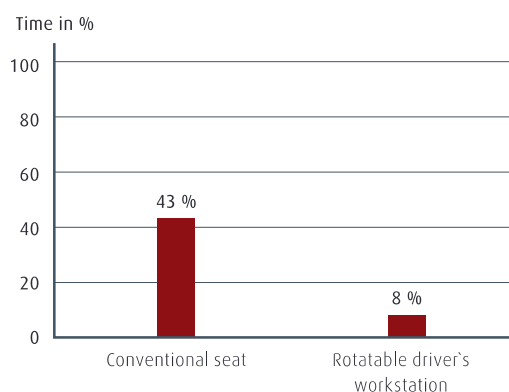
solution is available in numerous variants for different driver sizes and IC truck models. As you would expect, a selection of different seat types is also available. What's more, this robust solution can be retrofitted for many of the IC trucks from Linde.

Model	Type	Angle of rotation	Option 1	Option 2	Additional information
392 393	H20 H25 H30 H35	Left 0-90°	Left 0°-45°-90° Only with single pedal	Not available	Only available with full cabin or security bracket door Option 1 is recommended for drivers taller than 1.85 m Only available with the standard or comfort driver's seat
394	H40 H45 H50	Left 0-90°	Left 0°-35°-90°	Left 0°-35°-90° Right 35°	Only available with full cabin or security bracket door Option 2 without air conditioning and roof panel wiper Only available with the standard or comfort driver's seat
396	H50 H60 H70 H80	Left 0-75°	Left 0°-45°-75°	Not available	Only available with full cabin or security bracket door

➡ = Normal pedal ➡ = Release pedal

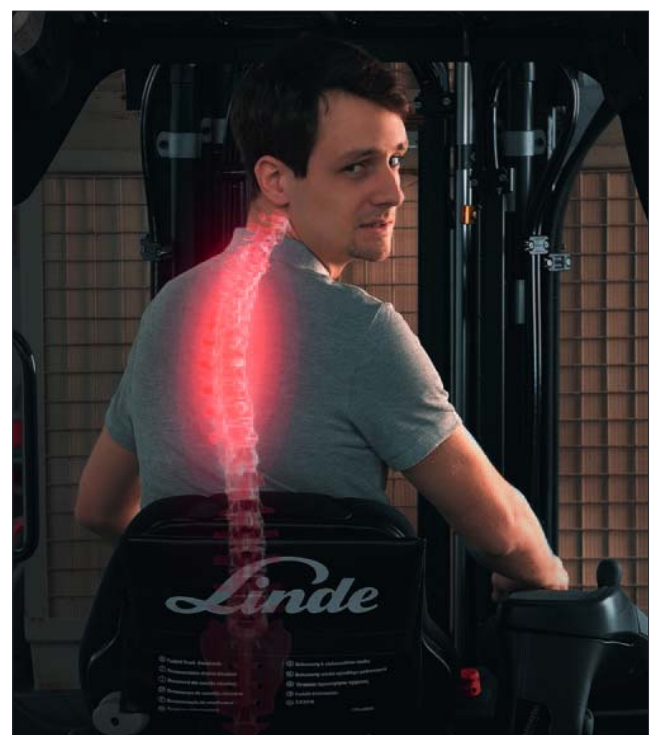
Comparison of back torsion

The amount of time spent on a conventional seat in which the spine is in a position no longer accepted under DIN EN 1005-4 is 43%. When a rotatable driver's workstation is used, this value is reduced to just 8%.



Less physical strain

A survey by the German employers' liability insurance association for trade and logistics (Deutsche Berufsgenossenschaft Handel und Warendistribution) revealed that the rotatable driver's workstation reduces physical strain on the driver by approx. 60%. Downtime is reduced significantly as a result.



Better visibility in order to work more efficiently



The entire workstation including seat, operating unit, steering wheel and pedals can be adjusted to the desired position with the help of a single handle. With just light movements of the head, the driver always has an optimal view of the driving direction — even during reverse travel.

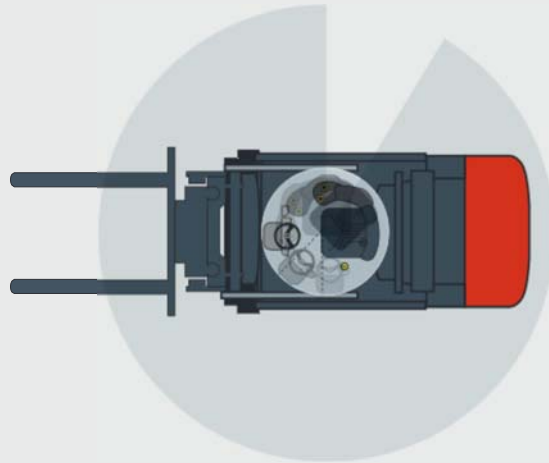
Awarded by

MM Logistik-Award

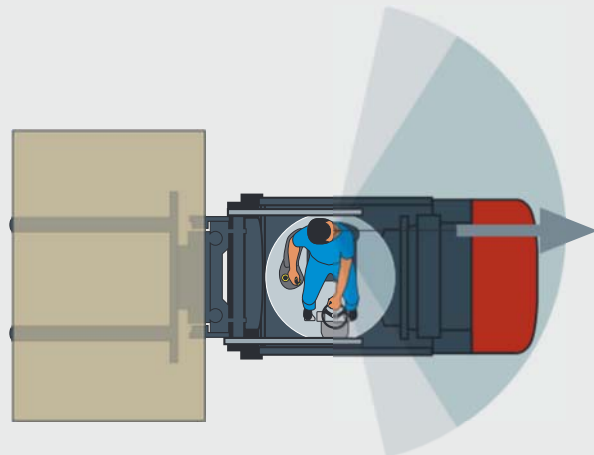


Find out more about the features of the rotatable driver's workstation.

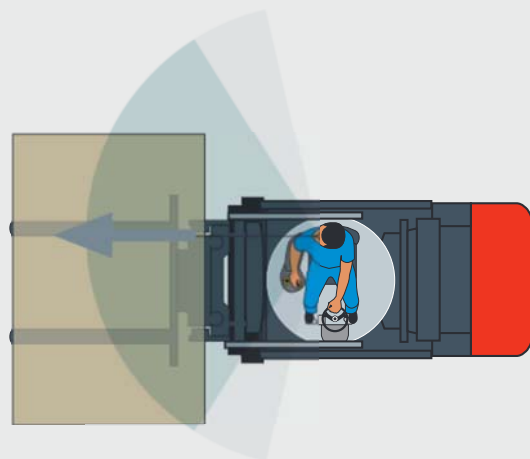
Complete visibility with the rotatable driver's workstation (0°–90°)



Visual field at a seat angle of 90°, head facing left



Visual field at a seat angle of 90°, head facing right



■ Active visual field
■ Passive visual field